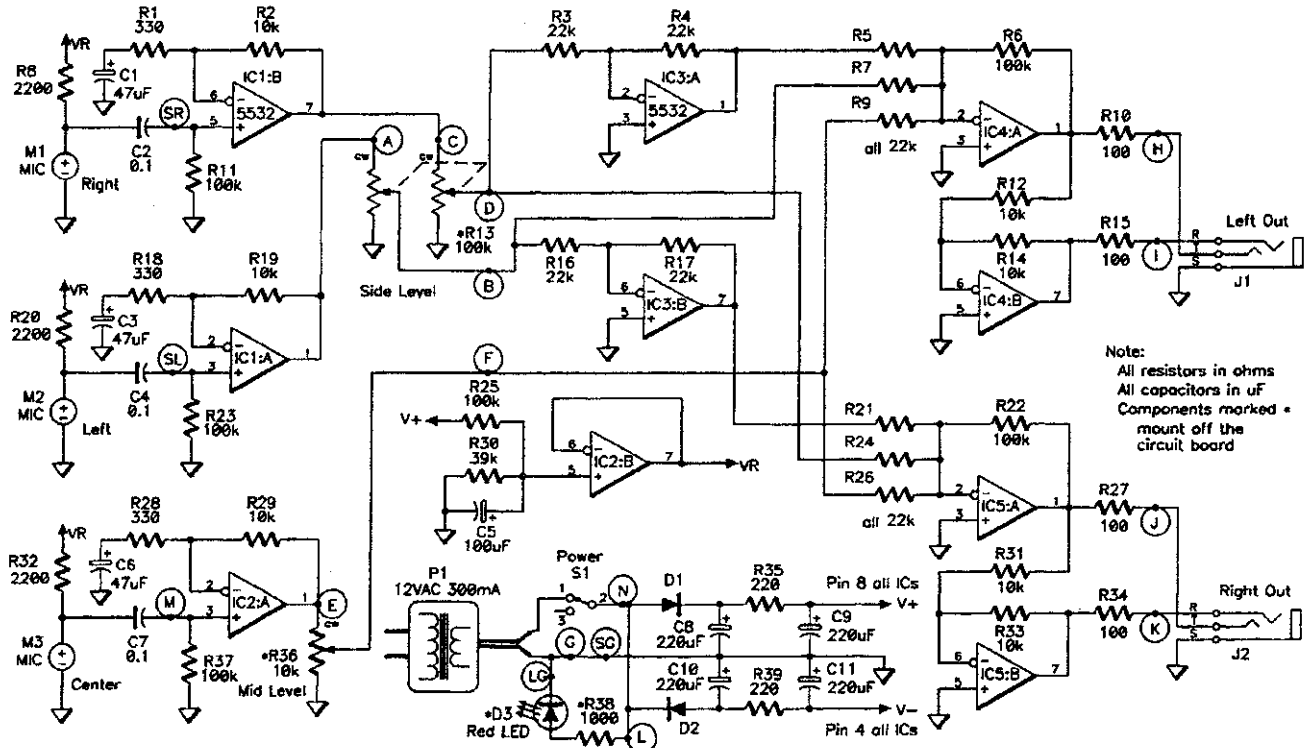


Fig 1. Parts mount on the circuit board at the locations shown. The phantom view will be useful if you need to trace out the circuit.

Fig 5. The MS Stereo Mic circuitry comprises preamps for the mics, inverters for the side signals, stereo summing busses and balanced line output drivers.



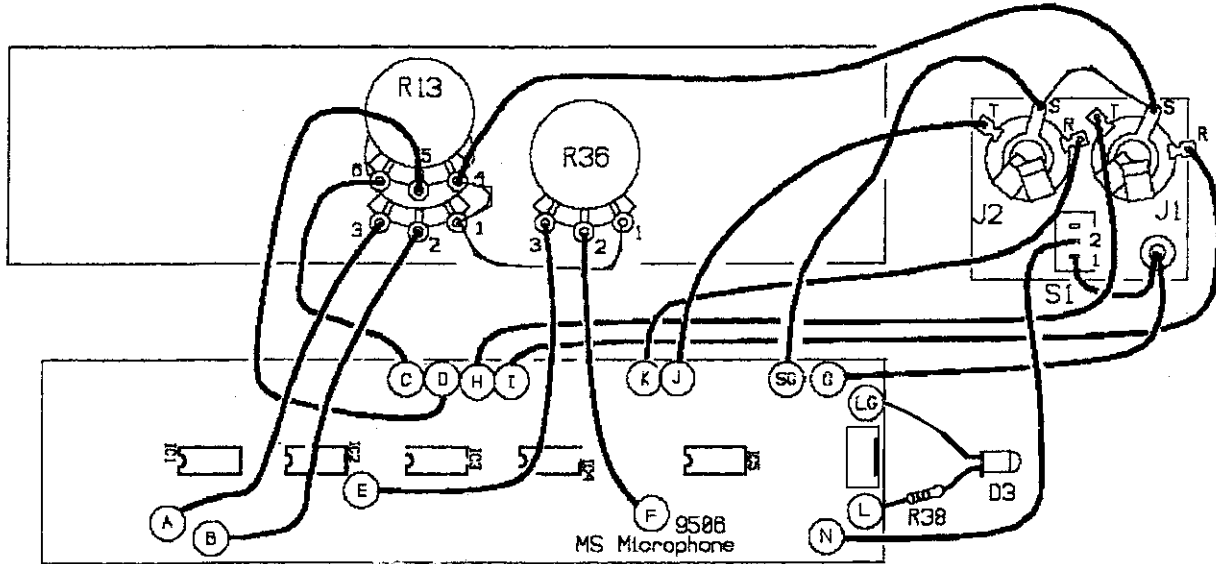


Fig 2. Bare wire and #22 insulated, stranded wire are used to make connections between controls, jacks and power switch as shown.

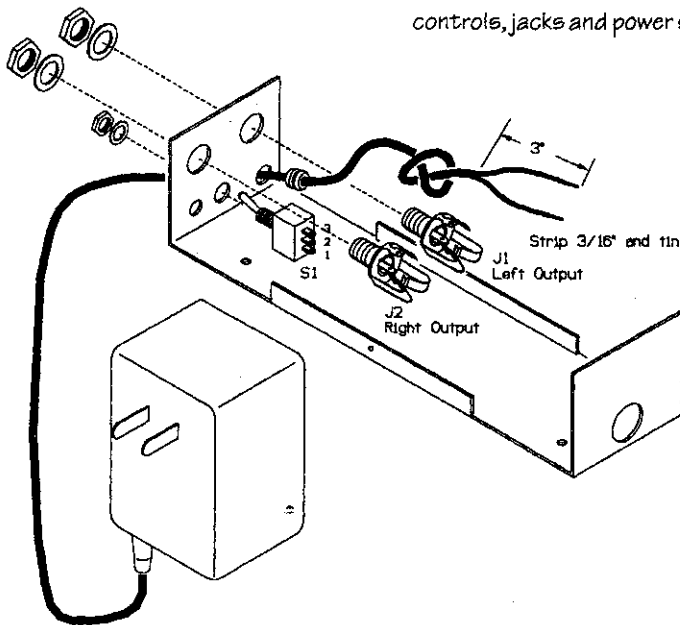


Fig 3. The jacks and power switch mount in the case bottom as shown.

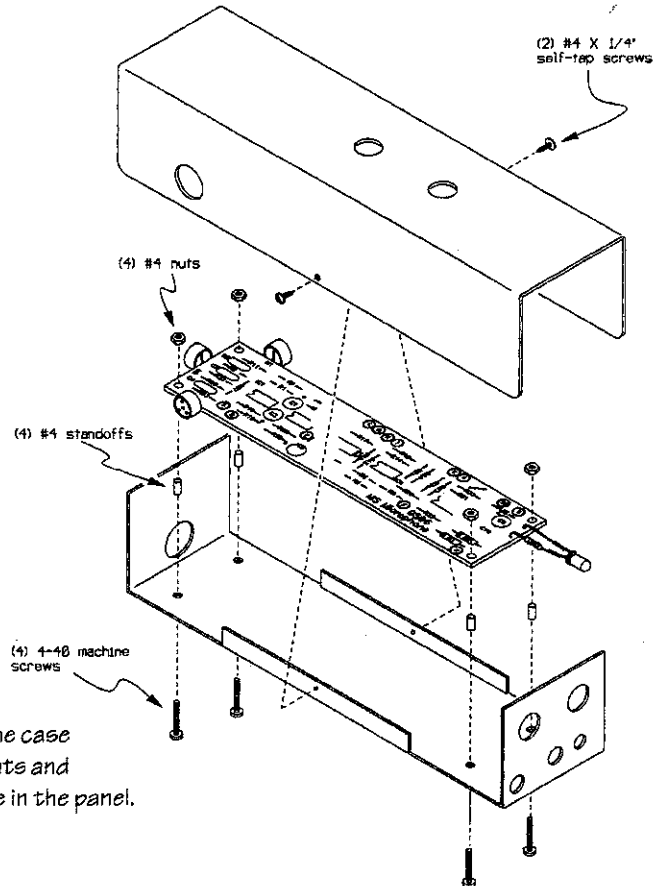


Fig 4. The circuit board mounts in the case bottom using #4 machine screws, nuts and standoffs. The LED fits into the hole in the panel.