

Fig 1. Circuit board parts placement and trace routings. Copper traces on the top of the board are shown in bold outline, useful if you need to trace the circuit through areas covered by ICs or other parts. Traces on the bottom of the board and their connections to components are shown in grey.

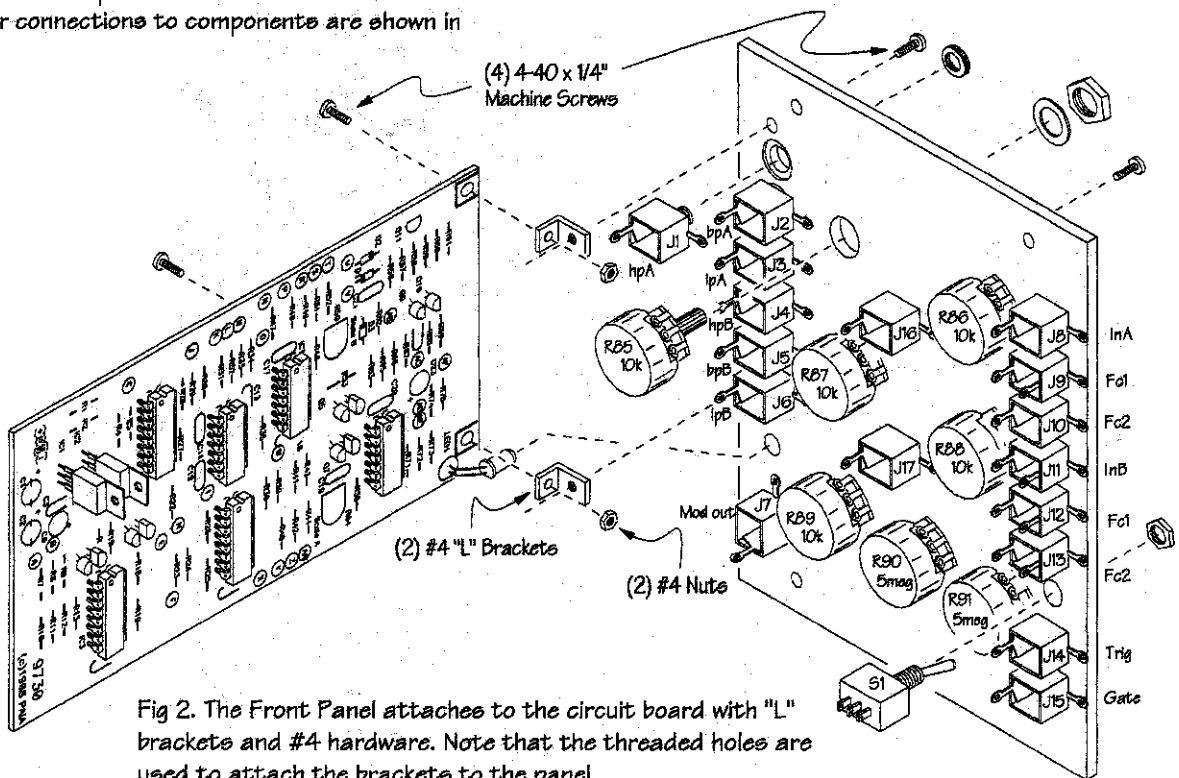


Fig 2. The Front Panel attaches to the circuit board with "L" brackets and #4 hardware. Note that the threaded holes are used to attach the brackets to the panel.

Fig 3 (right). Wiring to the "S" (Sleeve) lugs of J1-J6 will be easier if done before the potentiometers are mounted. Note the insulation over the leads of R78 and R84. Also the connection from the junction of R76 and R77 to R89-2 using insulated wire.

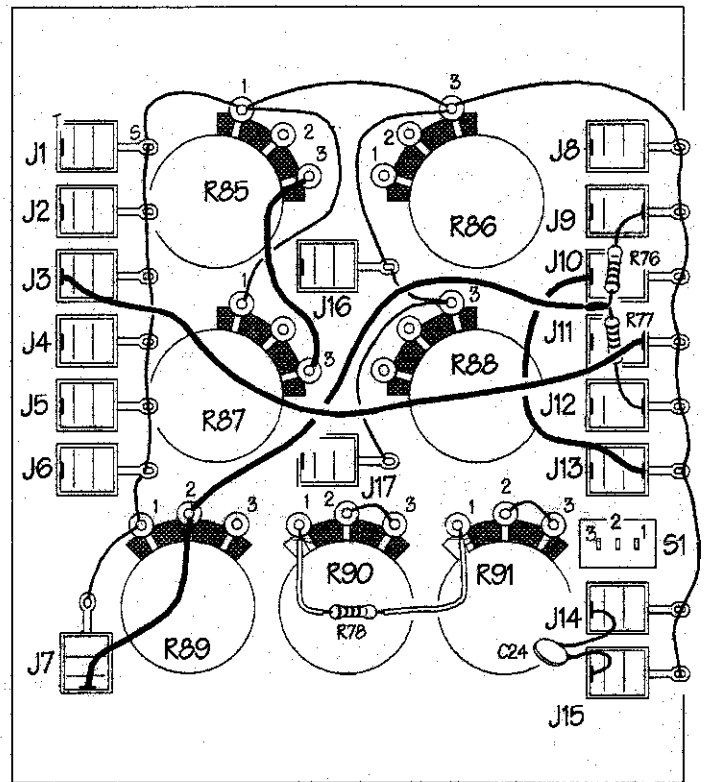
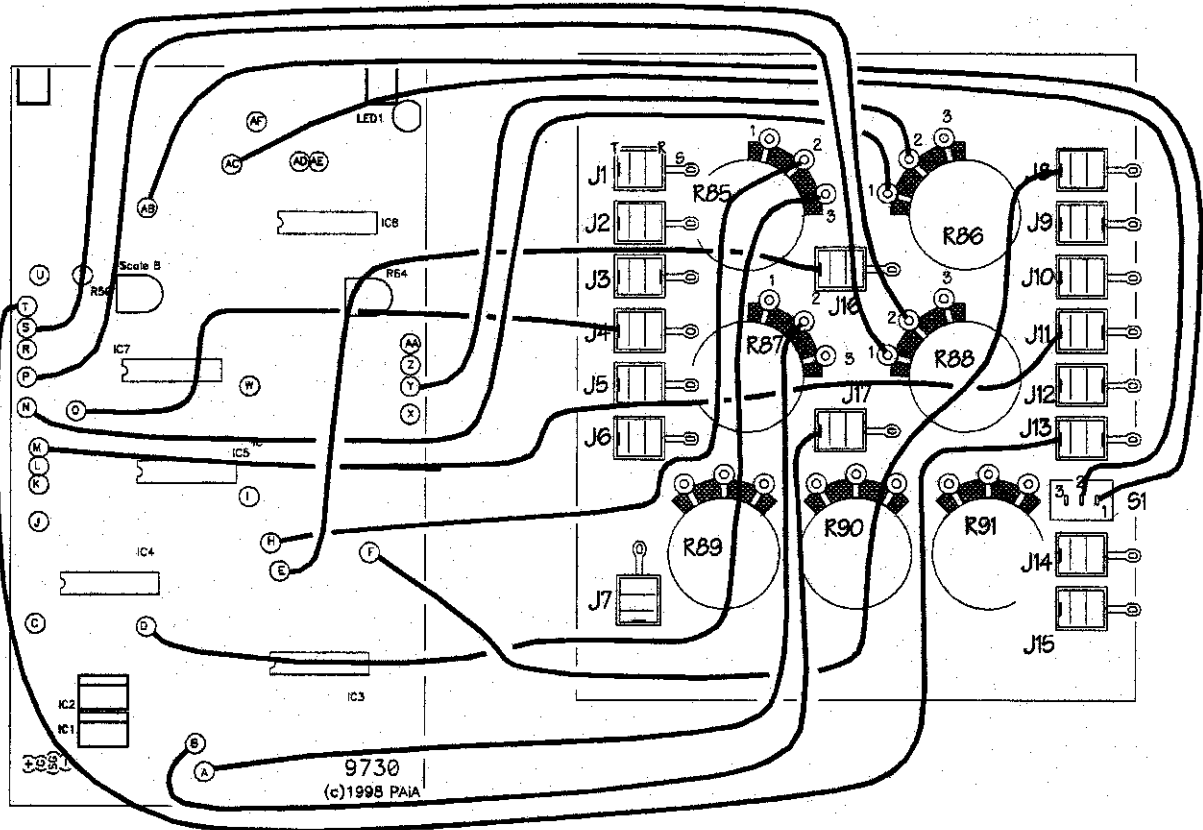


Fig 4 (below). Wiring continues with insulated stranded wire from circuit board to panel controls. Previous wiring has been eliminated for clarity.



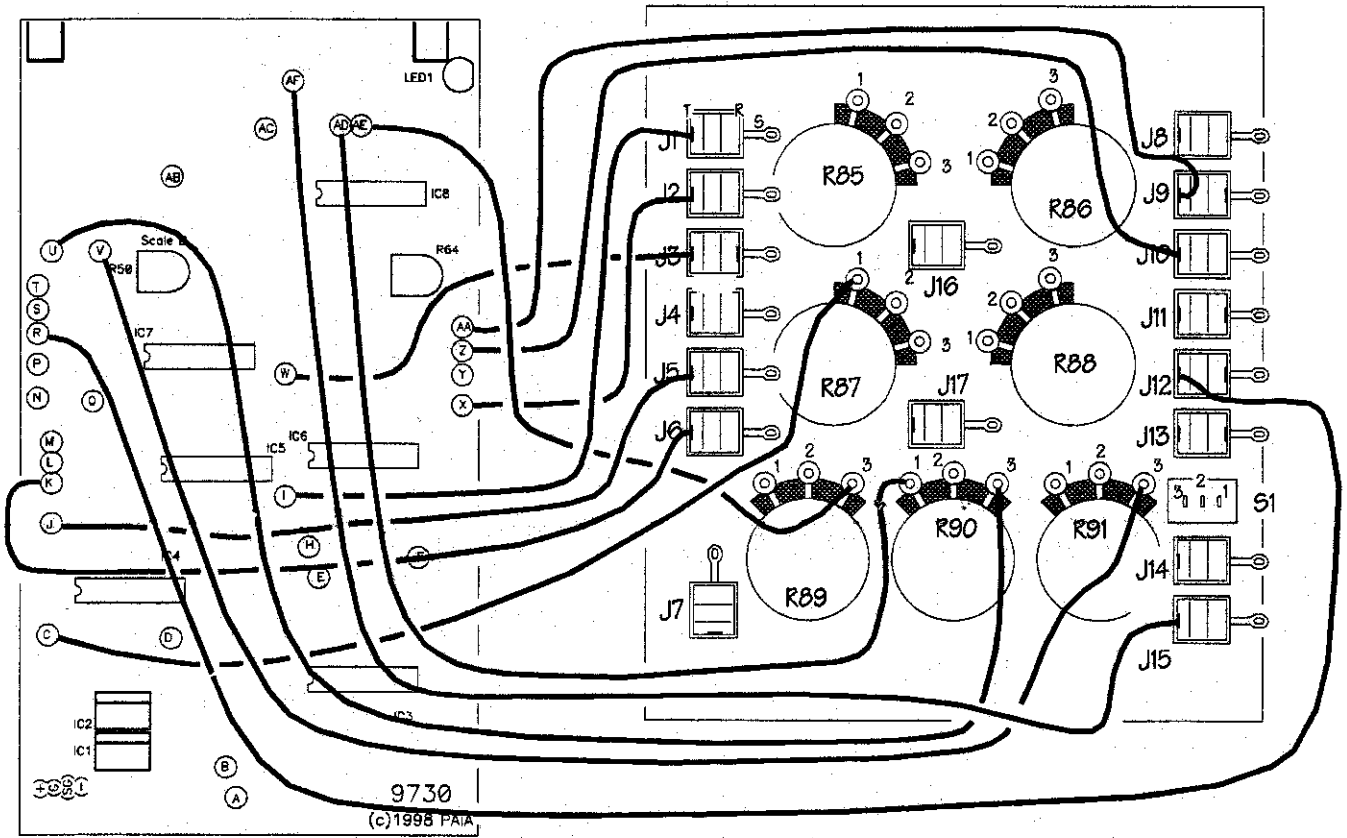


Fig 5. Wiring between panel and circuit board continues as above. Previous wiring omitted for clarity.

Fig 6 - 9730 Dual VCF w/Modulator block diagram shows normalization and organization of the controls..

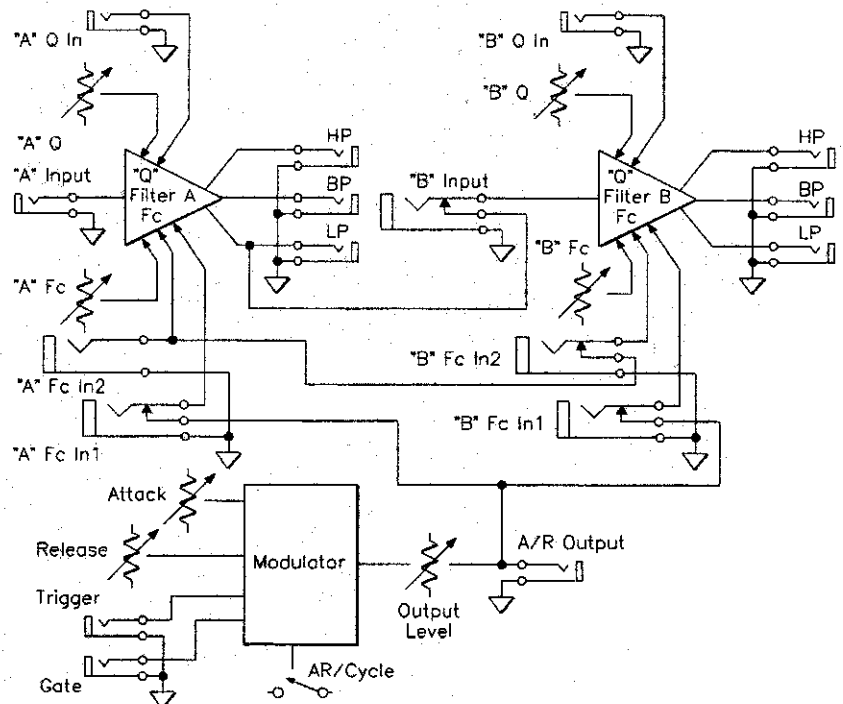


Fig 7. Dual YCF w/Modulator schematic. Identical State Variable filter sections each comprise a pair of integrators with gains controlled by exponentially scaled currents. The Modulator self-triggers for LFO functions.

