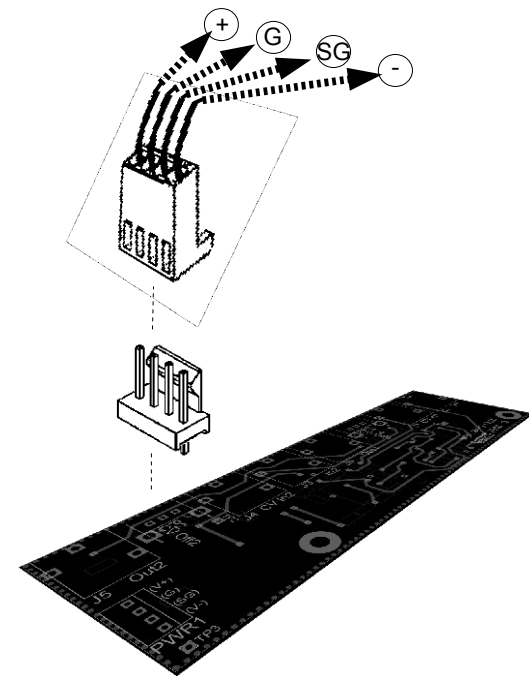


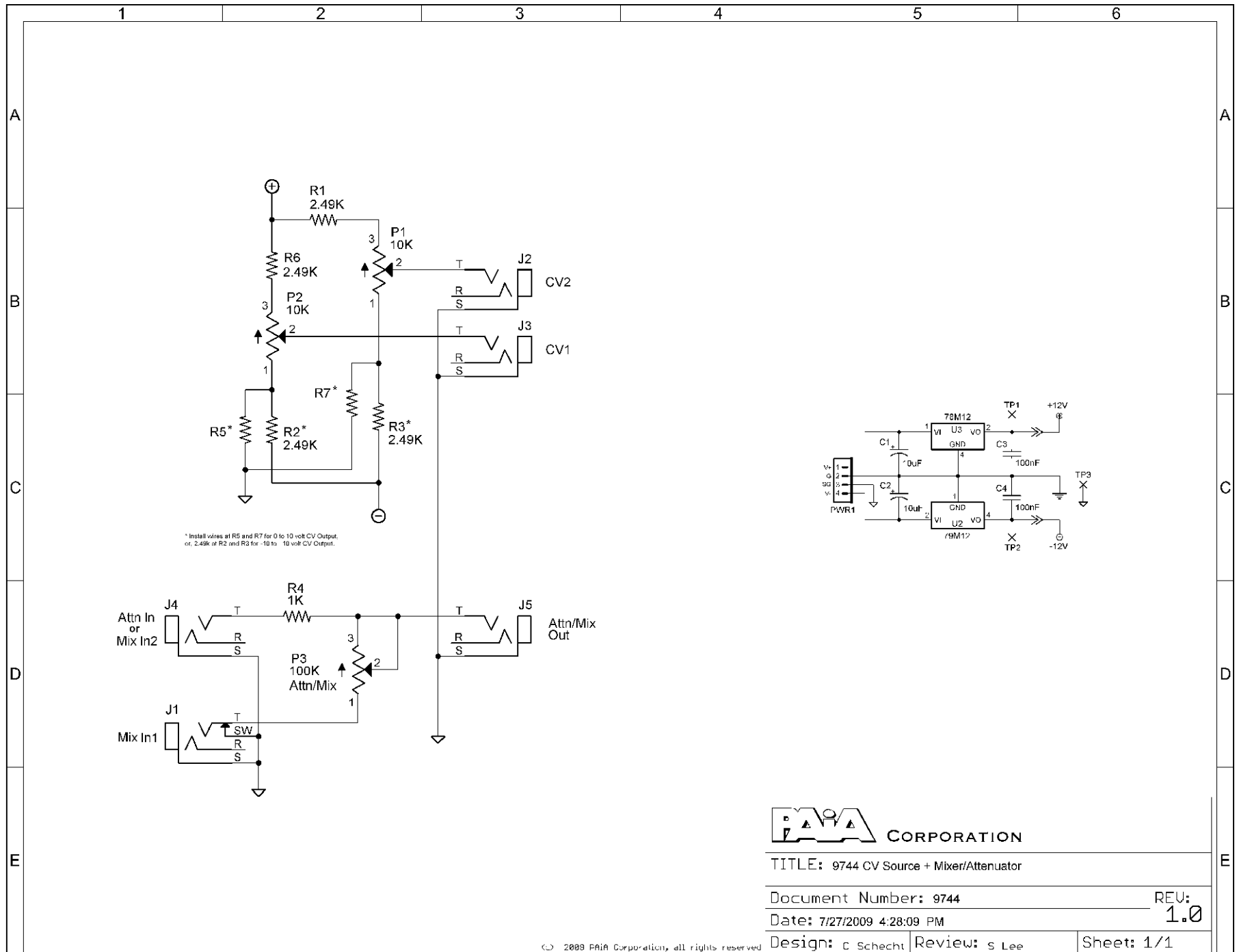
Attach board to panel using connector nuts, shim control shafts, and rotate controls to minimum. Install and tighten set-screw knobs to agree.

Fig. 1A



Orientation of power connector with respect to the printed-circuit-board.

Fig. 1B



TITLE: 9744 CV Source + Mixer/Attenuator

Document Number: 9744

Date: 7/27/2009 4:28:09 PM

Design: C Schecht Review: S Lee

REV: 1.0

Sheet: 1/1

Fig.2 Dual CV Source + Attenuator/Mixer Schematic