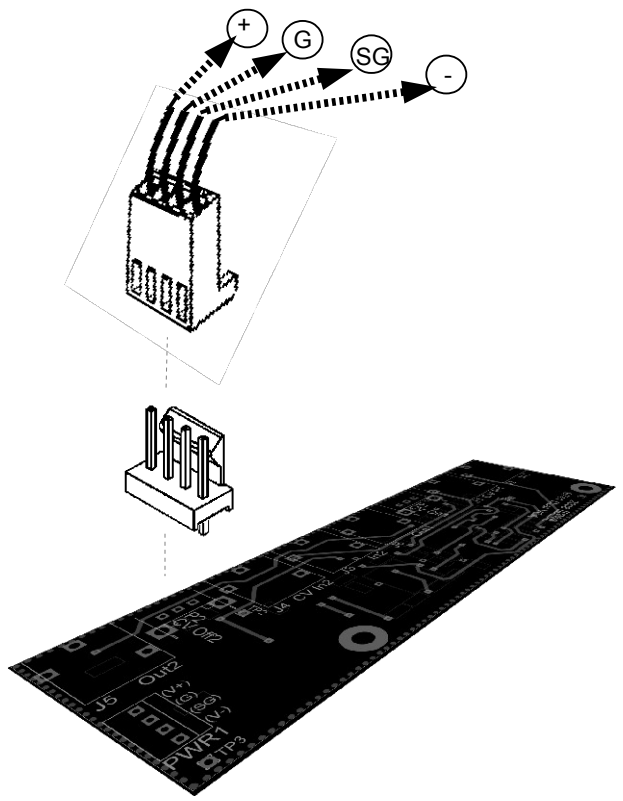


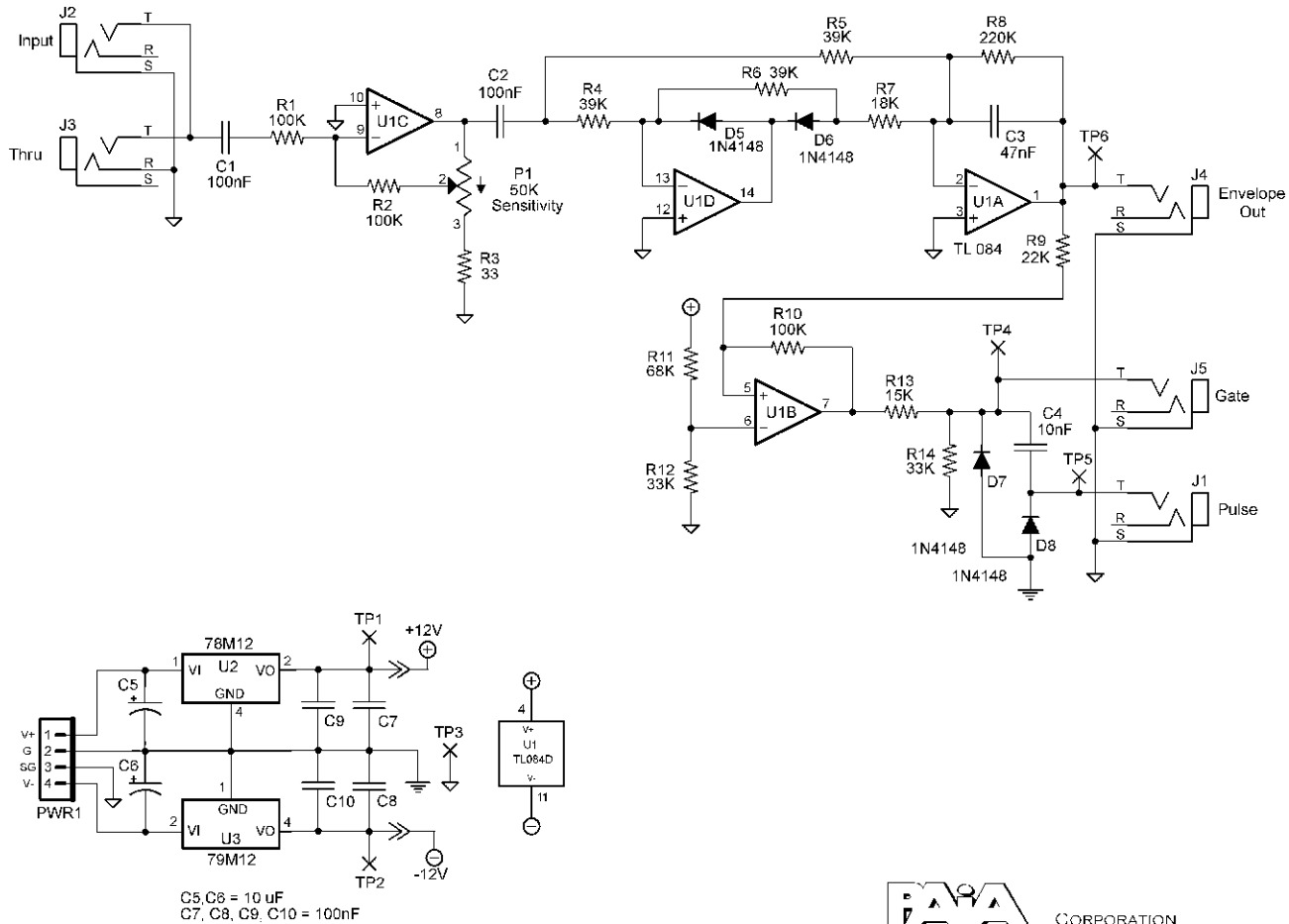
Attach board to panel using connector nuts. Shim control shafts and rotate controls to minimum. Install and tighten set-screw knobs to agree.

Fig. 1A



Orientation of power connector with respect to the printed-circuit-board.

Fig. 1B



PAIA CORPORATION

TITLE: 9753 Envelope Follower

Document Number: 9753

Date: 6/17/2009 9:44:28 AM

Design: C Schecht Review: S Lee

REV:
1.0

Sheet: 1/1

© 2009 PAIA Corporation, all rights reserved

Fig.2 Envelope Follower Schematic

© 2009 PAIA CORPORATION